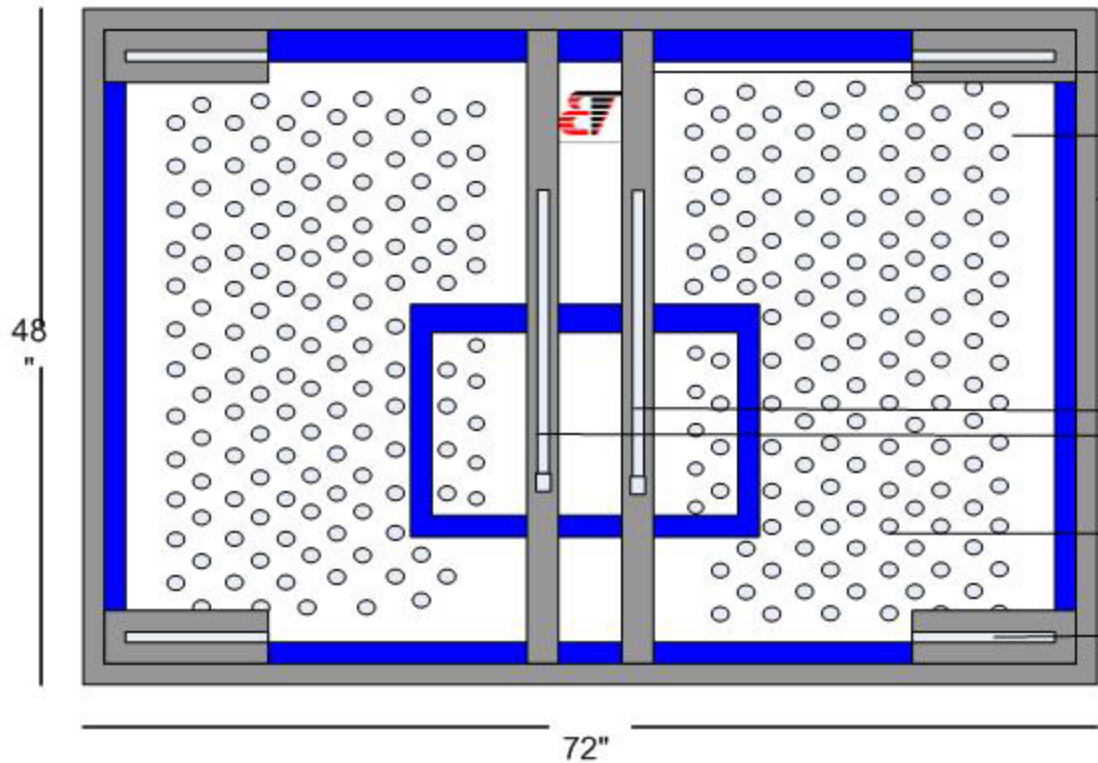
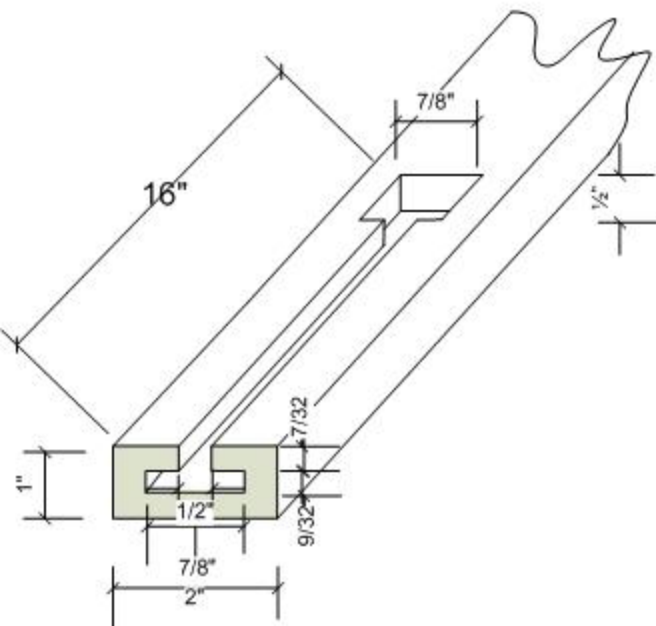


TrueBounce XL7048 Boston Kit

Rear View



- 2- 1"x2" solid aluminum bar stock
- Typical TrueBounce hole pattern
- Solid aluminum extrusion
- XL 7048 or XL 7042 backboard
- Stainless steel fasteners at all points on the backboard
- T slot with 2 Stainless Steel T nuts and Stainless threaded rod
- 1/2" thick perforated abrasive resistant polycarbonate
- 4" x 9" solid aluminum corner blocks With key slot to accommodate stainless "T" slot nuts



 TrueBounce 194 Riverside Ave New Bedford, MA 508-999-3020 508-990-3726 fax	TITLE		
	XL 7048 Boston Kit		
	DATE	DRAWN BY	
	12/04/06	WAYNE NEWTON	
SCALE	REVISED	PAGE	
N/A		1 OF 1	