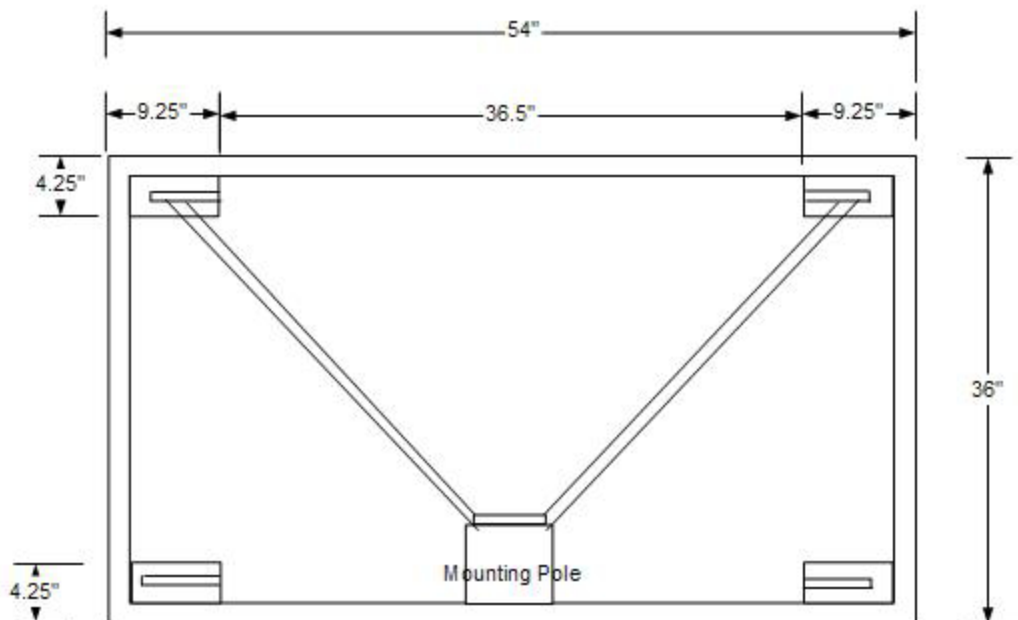


NOTE The diagonals can be within 3 1/2" from the outer edge of frame mounted in the slot as shown. There needs to be enough room for a washer on the flattened piece. 3/8" bolts affix the diagonals to the corner blocks.



NOTE This set up is typical for all size backboards. 42x72, 36x54, 34x48.

Confidential and Proprietary

This document, drawing or picture is owned by TrueBounce and is intended for authorized personnel only associated with TrueBounce. This document, drawing or picture shall not be reproduced in whole or in part under any circumstance without written consent from TrueBounce. Any person receiving this document, drawing or picture agrees to keep confidential along with any of its employees. Disclosure of this information will only be allowed to people working directly with TrueBounce.

TrueBounce

New Bedford, Massachusetts



TrueBounce
 194 Riverside Ave
 New Bedford, MA
 508-999-3020
 508-990-3726 fax

TITLE Corner Assembly for diagonals		
DATE 6/15/05	DRAWN BY WAYNE	
SCALE N/A	REVISED 6/15/2005	PAGE 1 OF 1